

**Materialeigenschaften**  
*material properties*



# Materialeigenschaften

## material properties

	max. Länge (cm) <i>max. length (cm)</i>	Gewicht g/lfm <i>weight g/lfm</i>	Farbe <i>color</i>	Material <i>material</i>	biegbar <i>bendable</i> für Flachkeder <i>for SEG frame</i> für Hohlraum <i>for hemstitch</i>
<b>keder</b>					
kederprofil 46/20 <i>keder bead profile 46/20</i>	600	981	eloxiert <i>anodized</i>	Aluminium <i>aluminum</i>	
kederprofil 46/3 <i>keder bead profile 46/3</i>	600	1270	eloxiert <i>anodized</i>	Aluminium <i>aluminum</i>	
kederprofil 28 <i>keder bead profile 28</i>	600	603	eloxiert <i>anodized</i>	Aluminium <i>aluminum</i>	
kederprofil 48/20 <i>keder bead profile 48/20</i>	600	950	eloxiert <i>anodized</i>	Aluminium <i>aluminum</i>	
<b>single</b>					
steckkederprofil 40/18 <i>SEG frame 40/18</i>	600	500	eloxiert <i>anodized</i>	Aluminium <i>aluminum</i>	
steckkederprofil 40/18 45° <i>SEG frame 40/18 45°</i>	600	509	eloxiert <i>anodized</i>	Aluminium <i>aluminum</i>	
steckkederprofil 55/25 <i>SEG frame 55/25</i>	600	1211	eloxiert <i>anodized</i>	Aluminium <i>aluminum</i>	
F-winkel 40/18 <i>F-angle 40/18</i>	600	329	eloxiert <i>anodized</i>	Aluminium <i>aluminum</i>	
<b>double</b>					
steckkederprofil 50/53 <i>SEG frame 50/53</i>	600	1427	eloxiert <i>anodized</i>	Aluminium <i>aluminum</i>	
steckkederprofil 50/53 geschl. <i>SEG frame 50/53 closed</i>	600	1427	eloxiert <i>anodized</i>	Aluminium <i>aluminum</i>	
steckkederprofil 80/42 <i>SEG frame 80/42</i>	600	1332	eloxiert <i>anodized</i>	Aluminium <i>aluminum</i>	
steckkederprofil 80/42 geschl. <i>SEG frame 80/42 closed</i>	600	1337	eloxiert <i>anodized</i>	Aluminium <i>aluminum</i>	
<b>cube</b>					
doppelnutprofil 41/12 <i>double groove profile 41/12</i>	600	459	eloxiert <i>anodized</i>	Aluminium <i>aluminum</i>	
doppelnutprofil 67/12 <i>double groove profile 67/12</i>	600	833	eloxiert <i>anodized</i>	Aluminium <i>aluminum</i>	
doppelnutprofil 105/12 <i>double groove profile 105/12</i>	600	1288	eloxiert <i>anodized</i>	Aluminium <i>aluminum</i>	
<b>specials</b>					
doppel-F-profil <i>double-F-profile</i>	600	345	roh <i>raw</i>	Aluminium <i>aluminum</i>	
doppel-U-profil <i>double-U-profile</i>	600	373	roh <i>raw</i>	Aluminium <i>aluminum</i>	
profil lightbox <i>profile lightbox</i>	600	366	eloxiert <i>anodized</i>	Aluminium <i>aluminum</i>	
multinutprofil 53/53 <i>multi-groove profile 53/53</i>	600	1729	eloxiert <i>anodized</i>	Aluminium <i>aluminum</i>	
leuchtkastenprofil 100/55 <i>light box profile 100/55</i>	600	2166	eloxiert <i>anodized</i>	Aluminium <i>aluminum</i>	

Pulverbeschichtung nach RAL für alle Profile möglich. *Powder coating according to RAL possible for all profiles.*

# Materialeigenschaften

## material properties

### keder



kederprofil 46/3  
keder bead profile 46/3



kederprofil 46/20  
keder bead profile 46/20



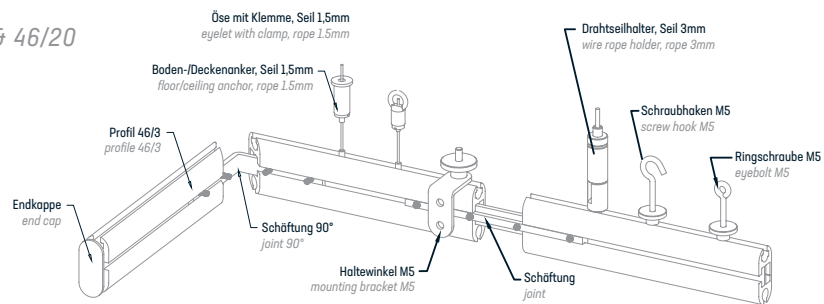
kederprofil 48/20  
keder bead profile 48/20



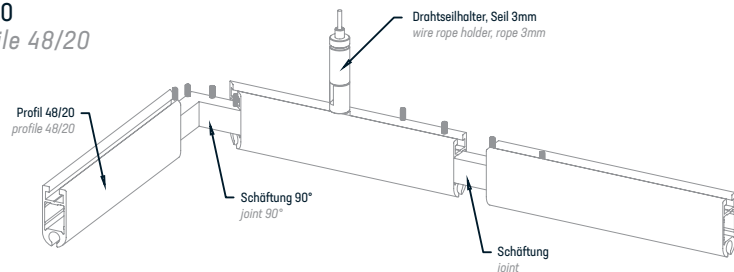
kederprofil 28  
keder bead profile 28

### Zubehör accessories

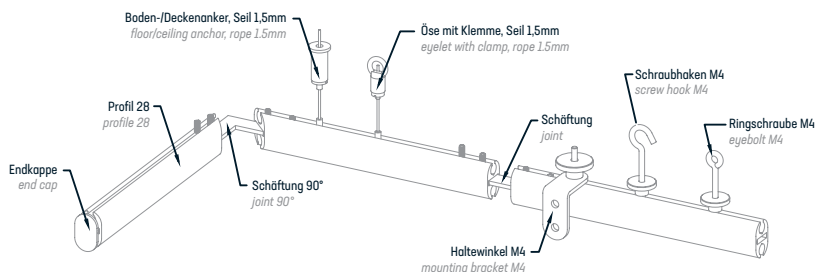
#### kederprofil 46/3 & 46/20 keder bead profile 46/3 & 46/20



#### kederprofil 48/20 keder bead profile 48/20



#### kederprofil 28 keder bead profile 28



# Materialeigenschaften

## material properties

single



steckkederprofil 40/18  
SEG profile 40/18



steckkederprofil 40/18 45°  
SEG profile 40/18 45°



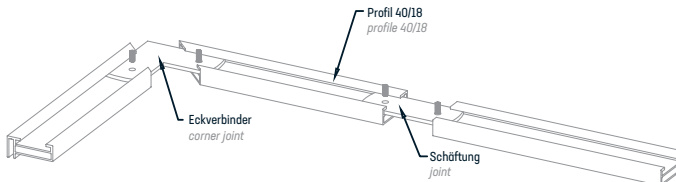
steckkederprofil 55/25  
SEG profile 55/25



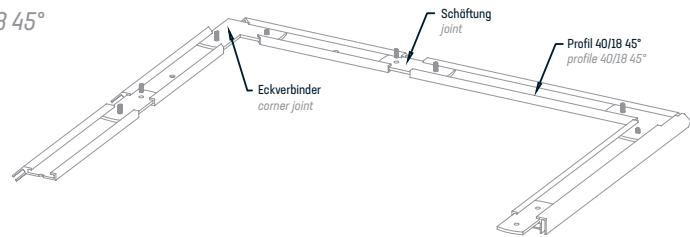
F-winkel 40/18  
F-angle 40/18

Zubehör accessories

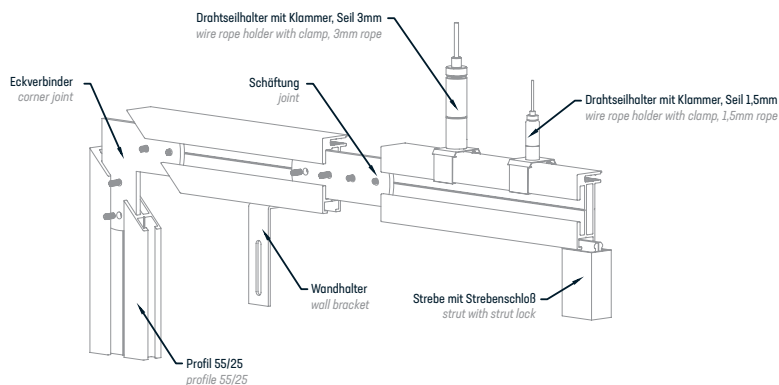
steckkederprofil 40/18  
SEG profile 40/18



steckkederprofil 40/18 45°  
SEG profile 40/18 45°



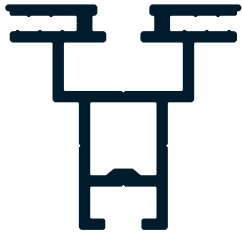
steckkederprofil 55/25  
SEG profile 55/25



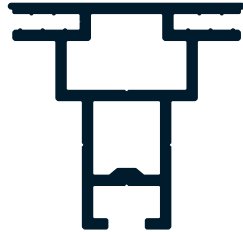
# Materialigenschaften

## material properties

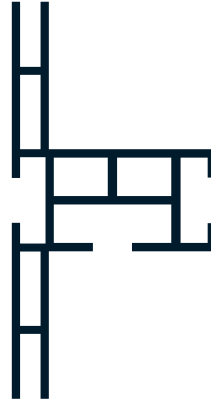
### double



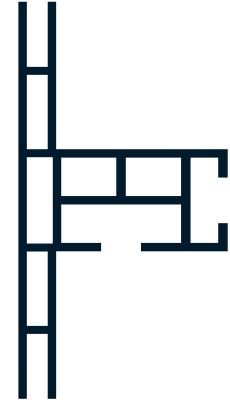
steckederprofil 50/53  
SEG frame 50/53



steckederprofil 50/53 geschlossen  
SEG frame 50/53 closed



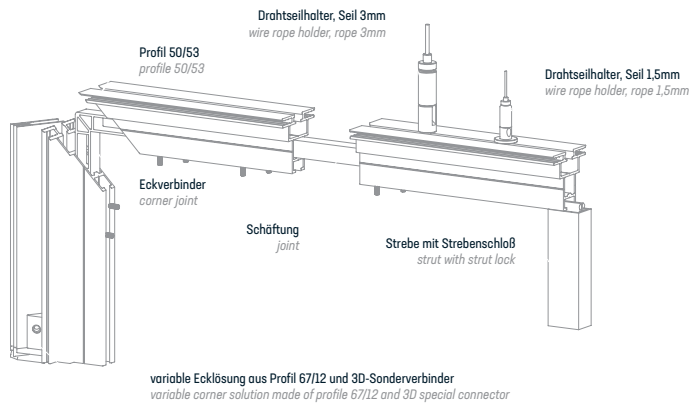
steckederprofil 80/42  
SEG frame 80/42



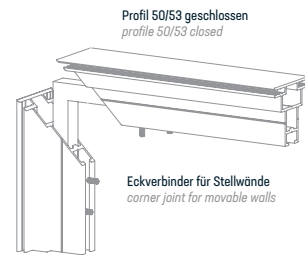
steckederprofil 80/42  
geschlossen  
SEG frame 80/42 closed

### Zubehör accessories

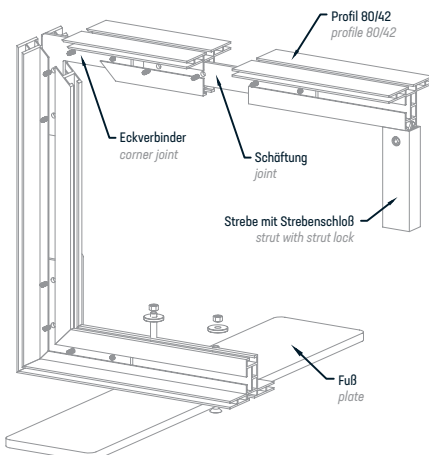
steckederprofil 50/53  
SEG profile 50/53



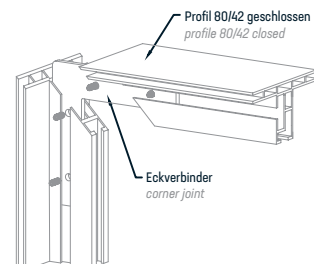
steckederprofil 50/53 geschlossen  
SEG profile 50/53 closed



steckederprofil 80/42  
SEG profile 80/42



steckederprofil 80/42 geschlossen  
SEG profile 80/42 closed



### cube



doppelnutprofil 41/12  
double groove 41/12



doppelnutprofil 67/12  
double groove 67/12



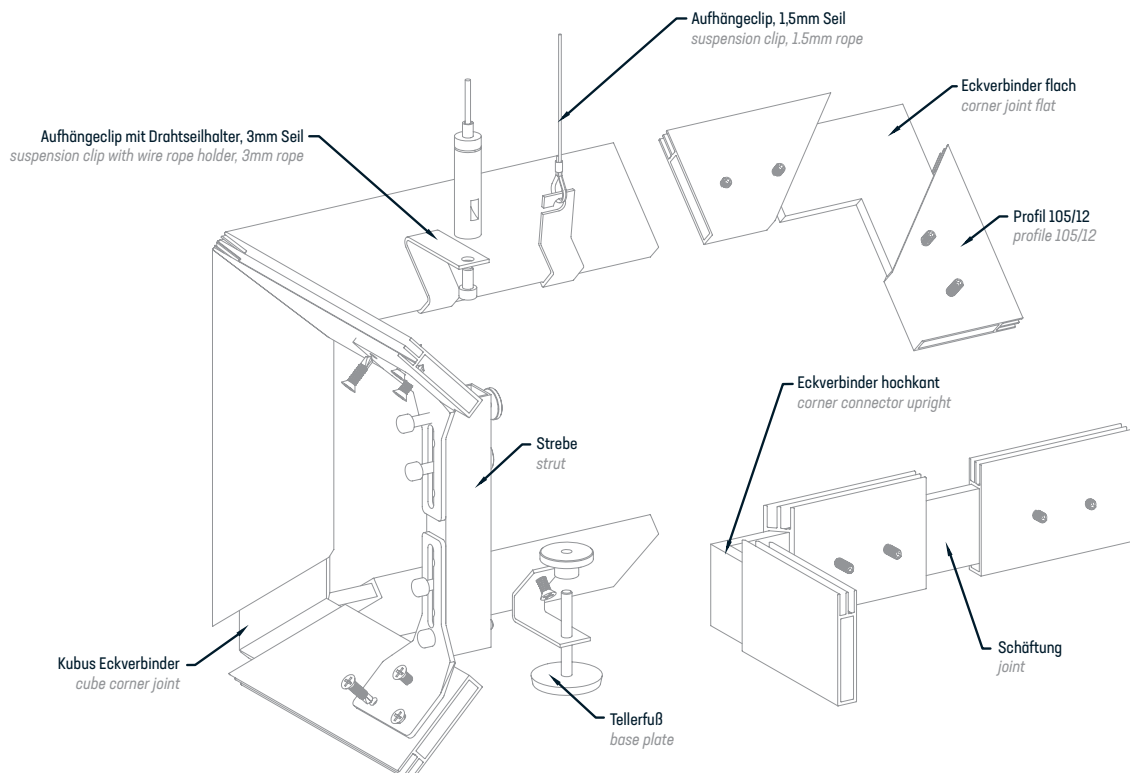
doppelnutprofil 105/12  
double groove 105/12

### Zubehör accessories

doppelnutprofil 41/12  
double groove 41/12

doppelnutprofil 67/12  
double groove 67/12

doppelnutprofil 105/12  
double groove 105/12



## specials

---



doppel-F-profil  
*double-F-profile*



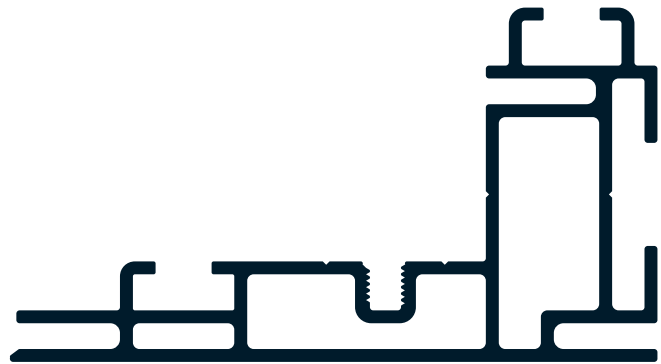
doppel-U-profil  
*double-U-profile*



profil lightbox  
*profile lightbox*



multinutprofil 53/53  
*multi-groove profile 53/53*



leuchtkastenprofil 100/55  
*light box profile 100/55*



Flughafenstr. 4 A  
D-27809 Lemwerder

Telefon: +49(0)421 -69 35 2 - 0  
Telefax: +49(0)421 -69 35 2 - 14

[info@procedes.de](mailto:info@procedes.de)  
[www.procedes.de](http://www.procedes.de)